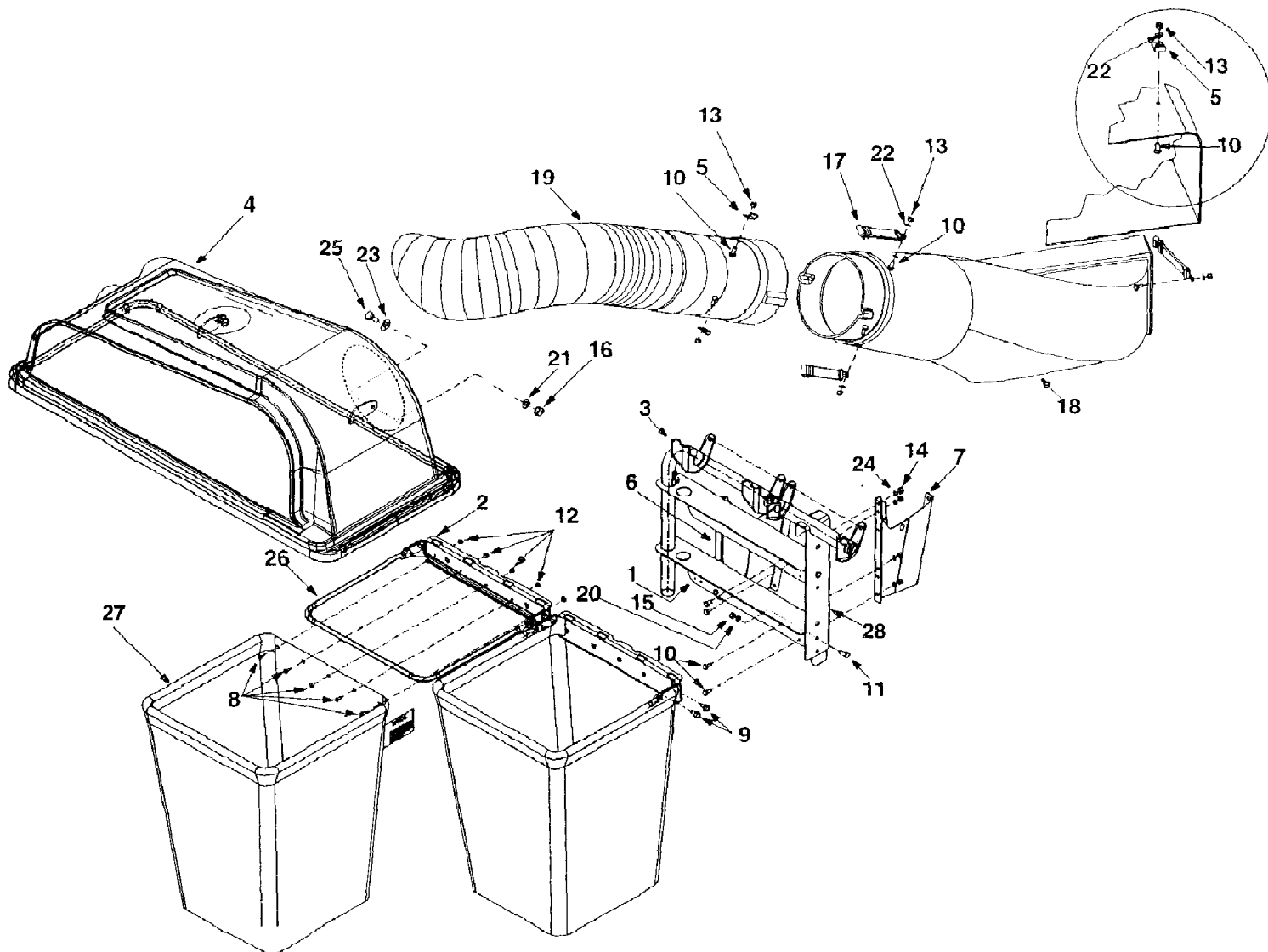


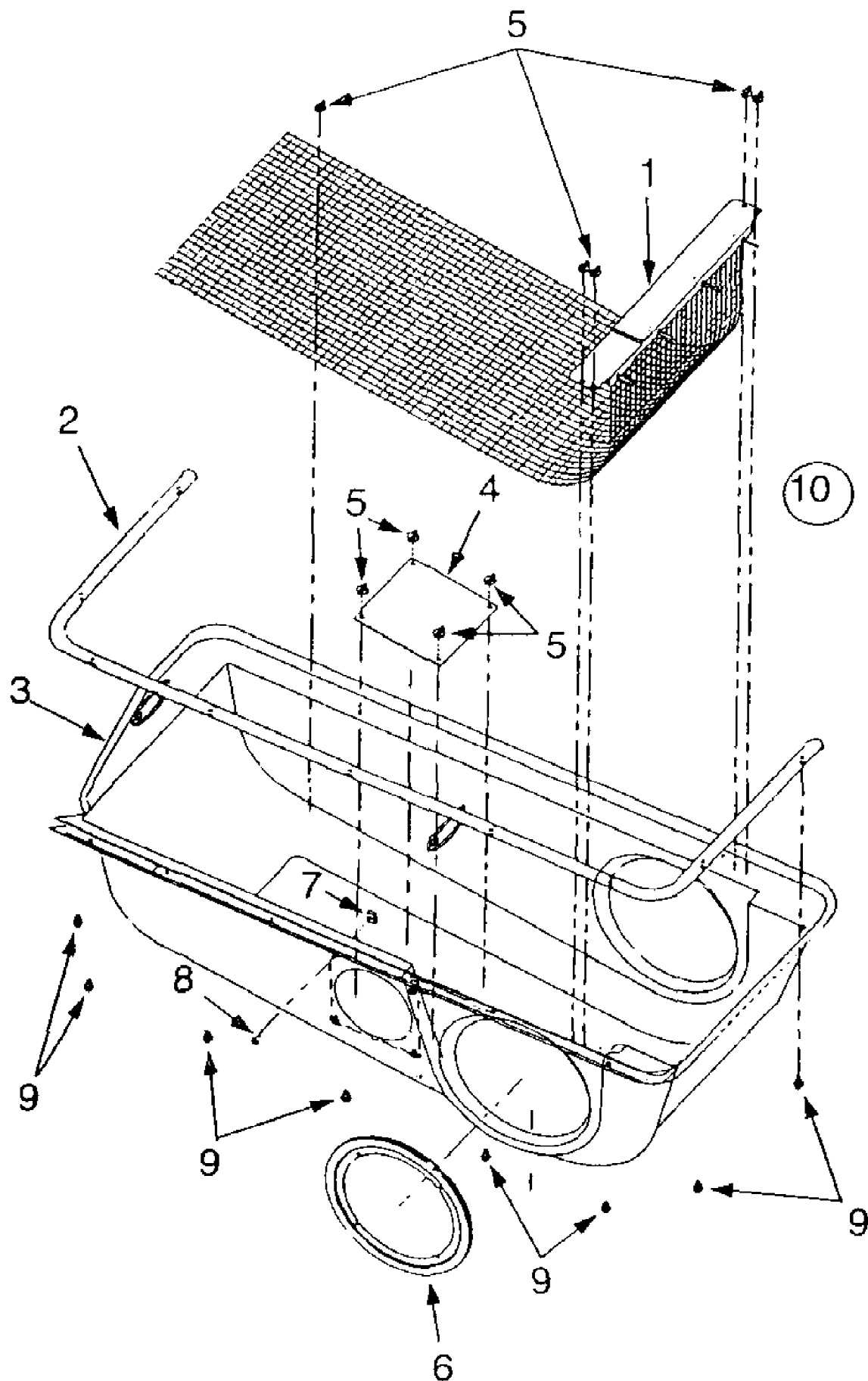
190-103-000 Bagger (2001)
Grass Catcher Assembly



190-103-000 Bagger (2001)
Grass Catcher Assembly

Page 2 of 4

Ref #	Part Number	Qty	S/P/F	Description
1	16587B	1	S	Catcher Support Tube Mtg. Brkt.
2	16591A	1	S	Hanger Bracket: Bag Frame
3	16592	1	S	Catcher Support Tube Assembly
4	16594A	1		Cover Assembly See next page for complete breakdown; Model 063 only
	631-0007	1		Cover Assembly See next page for complete breakdown; Model 103 only
5	16606	1	S	Retainer Hook Bracket
6	16610C	1	S	Support Bracket: LH
7	16611C	1	S	Support Bracket: RH
8	710-0473	1	/P	Mach. Screw: #10-24 X 0.5"
9	710-0604	1	S	Screw, TT: 5/16-18 X 0.625"
10	710-0751	1	/P	Hex Bolt: 1/4-20 X 0.620" Gr. 5
11	710-3008	1	/P	Hex Bolt: 5/16-18 X 0.75" Gr. 5
12	712-0272	1	/P	Hex Sems Nut: 10-24
13	712-0324	1	/P	Hex Lock Nut
14	712-3006	1	/P	Hex Nut: Gr. 5
15	712-3010	1	S	Hex Nut: 5/16-18
16	712-3017	1	S	Hex Nut: 3/8-16 Gr. 8
17	723-0383	1	S	Retainer Strap Assembly
18	731-0827A	1	S	Discharge Chute Model 063 only
	731-0925A	1	S	Discharge Chute Model 103 only
19	731-0899A	1	S	Chute Tube Model 063 only
	731-0926	1	S	Chute Tube Model 103 only
20	736-0119	1	S	Lock Washer: 5/16
21	736-0169	1	S	Lock Washer
22	736-0175	1	S	Spring Washer
23	736-0255	1	S	Bell Washer Model 063 only
	736-0253	1	S	Bell Washer Model 103 only
24	736-0329	1	S	Lock Washer: 1/4
25	738-0380	1	S	Shoulder Screw
26	749-0701A	1	S	Frame Tube
27	764-0221	1	S	Catcher Bag
28	783-0601	1	S	Catcher Support Bracket



190-103-000 Bagger (2001)
Grass Catcher Cover Assembly

Page 4 of 4

Ref #	Part Number	Qty	S/P/F	Description
1	16847A	1		Screen Assembly
2	16596	1	S	Hinge Bracket Assembly
3	731-0821A	1		Grass Catcher Cover Model 063 only
	731-1417	1		Grass Catcher Cover Model 103 only
4	731-0824A	1	/P	Plastic Plate
5	726-0258	1		Zip Twist Fastener
6	723-0412	1	/P	Tube Seal Model 063 only
	723-0413	1		Tube Seal Model 103 only
7	712-0147	1	/P	U-Type Speed Nut
8	710-0351	1	/P	Screw, #10-16 x 0.5" Model 063 only
	710-0473	1	/P	Screw, #10-24 x 0.5" Model 103 only
9	710-0599	1	/P	Hex Screw, 1/4-20 x 0.5" Model 063 only
	710-0896	1	/P	Hex Screw, 1/4-14 x 0.625" Model 103 only
10	16594A	1		Grass Catcher Cover Assembly Model 063 only
	631-0007	1		Grass Catcher Cover Assembly Model 103 only